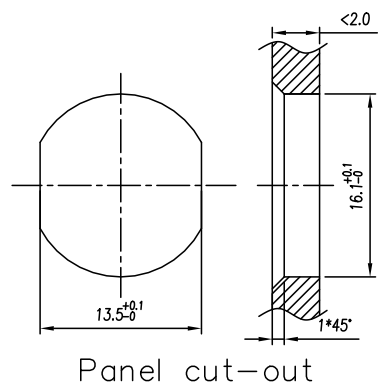


| REVISION RECORD | | | | |
|-----------------|-------------|---------|----------|------|
| REV. | DESCRIPTION | ECN No. | APPROVED | DATE |
| | | | | |

| | | |
|--|--|------------------------------|
| IEC 技术参数 | | IEC61076-2-101 |
| IEC Technical Data | | |
| 工作温度 Operating temperatur [°C] | | -25~+80 |
| 防护等级 IP Class (IN Locked condition) | | IP67 |
| 额定电压 Rated Voltage [V] | | |
| 额定电流 Rated Current [A] | | |
| 导线截面积 Conductor cross section | | |
| 硬质/柔性导线 Solid/ flexible [mm ²] | | |
| 接线范围 Wire Range | | |
| 单/多芯线 Solid/Stranded [AWG] | | |
| 材料 Material | | |
| 绝缘材料 Insulation Material | | PA 66 |
| 阻燃等级 Imflammability | | UL94V-0 |
| 导体材料 Contactor Material | | 铜合金 Copper alloy |
| 导体镀层 Contactive Coating | | 镀金 Gold Plated |
| 螺母/螺丝 Connector Nut/Screw | | Brass With Nickel Plated 铜镀镍 |
| 符合RoHS环保要求 | | |



| Contacts Pin 数 | 3Pin | 4Pin | 5Pin | 8Pin | 12Pin | 17Pin |
|--------------------|----------------------|----------------------|----------------------|----------------------|----------------------|----------------------|
| A-Coding | | | | | | |
| Rated Current 额定电流 | 4A | 4A | 4A | 2A | 1.5A | 1.5A |
| Rated Voltage 额定电压 | 250V | 250V | 60V | 30V | 30V | 30V |
| Wire Range 线范围 | 22AWG | 22AWG | 22AWG | 24AWG | 26AWG | 26AWG |
| PART NO. 品名: | M12-A03P-ST0-F02-BH1 | M12-A04P-ST0-F02-BH1 | M12-A05P-ST0-F02-BH1 | M12-A08P-ST0-F02-BH1 | M12-A12P-ST0-F02-BH1 | M12-A17P-ST0-F02-BH1 |

| | | | | | |
|--------|-----------------|---|------------------|---------|--------|
| G | NUT | NUT M16X1.5 ,Brass With Nickel Plated | pcs | 1 | |
| F | O-Ring | O-Ring FKM Green | pcs | 1 | |
| E | Resin | Black epoxy resin for sealing | g | 2 | |
| D | O-Ring | O-Ring FKM Black | pcs | 1 | |
| C | Housing | A-Coding Female,Black PA66 | pcs | 1 | |
| B | Terminal | Female Terminal ,Brass With Gold Plated | pcs | X | |
| A | Screw | Screw M12 X1.0,Brass With Nickel Plated | pcs | 1 | |
| 编号 No. | 料号 Materials.No | 品名 Name | 材料规格 Description | 单位 Unit | 用量 Qty |

| | | | | | | | |
|------------------------|-------|---------------------------------|------------|-----|------|------------------------|--------------|
| | | 慈溪市万捷电子有限公司 | | | | PART NO.: | |
| | | CIXI WANJIE ELECTRONIC CO., LTD | | | | M12-AXXP-ST0-F02-BH1 | |
| NO SPECIFIED TOLERANCE | | Cus' P/N: | Order No.: | --- | | Drawing No.: | SP-02-M00XXX |
| LINEAR | 0.5-6 | ±0.1 | DES. | JUN | DATE | UNITS | mm |
| | 6-30 | ±0.2 | CHK. | | DATE | SIZE | A4 |
| | >30 | ±2% | APP. | | DATE | SCALE | X:X |
| ANGLES | ±1° | | | | | | 文件等级: 外部公开 |
| | | | | | | THIRD ANGLE PROJECTION | PAGE |
| | | | | | | | 1 of 1 |